

SERIES CCWS CYLINDRICAL VERTICAL TANKS WITH CLOSED TOP

DRG. NO. CEPZ91/7M SHEET NO 1/1

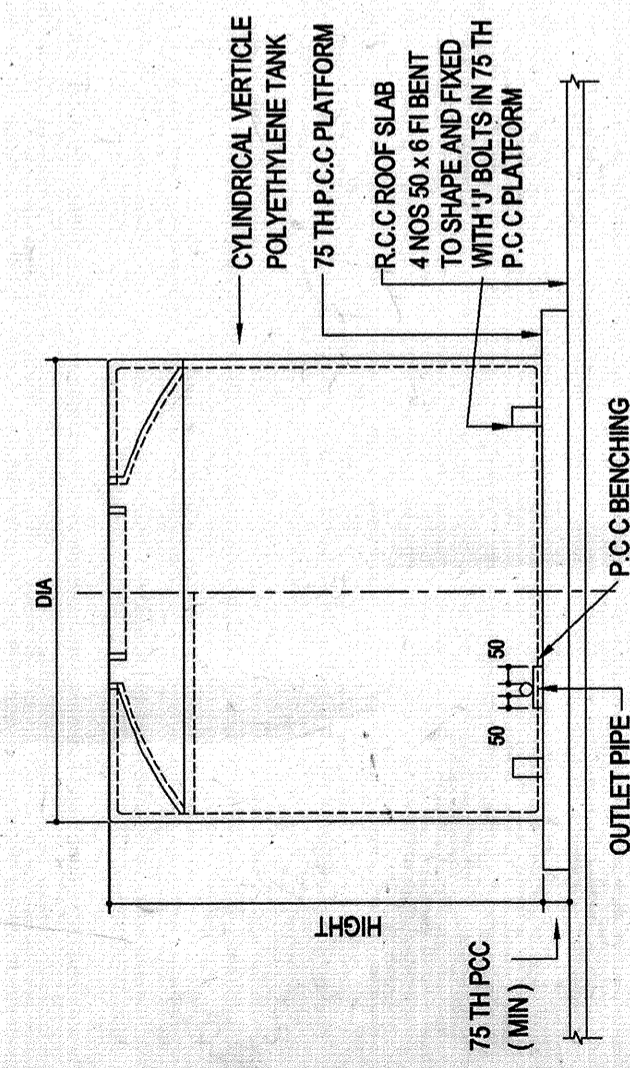
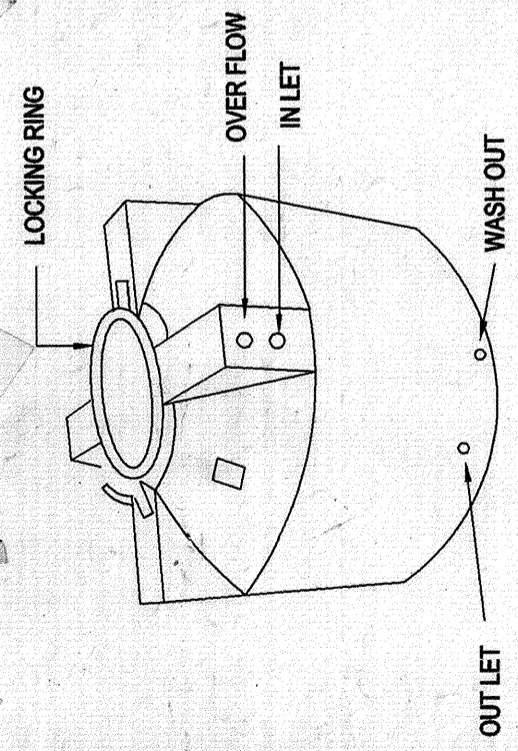
NOTES

- 1) CONTRACTOR TO CHECK & VERIFY ALL DIMENSIONS BEFORE EXECUTION OF THE WORK.
- 2) FIGURED DIMENSIONS SHALL BE FOLLOWED.
- 3) ALL DIMENSIONS ARE IN MILLIMETERS
- 4) TANKS ARE TO BE ONE PIECE MOULDED AND MANUFACTURED OUT OF LOW DENSITY POLYETHYLENE.
- 5) TANKS ARE TO BE CYLINDRICAL SHAPE AND VERTICAL TYPE WITH CLOSED TOP.
- 6) TANKS ARE TO BE INSTALLED ON A SURFACE WHICH GIVES FULL BEARING TO THE BOTTOM OF TANK
- 7) TANK SHALL BE PROVIDED WITH CHECK NUT ADAPTER SYSTEM OF GI FOR IN LETS & OUTLETS OF SUITABLE SIZES
- 8) SUITABLE LOCKING RING ARRANGEMENT IS TO BE PROVIDED TO THE TOP COVER

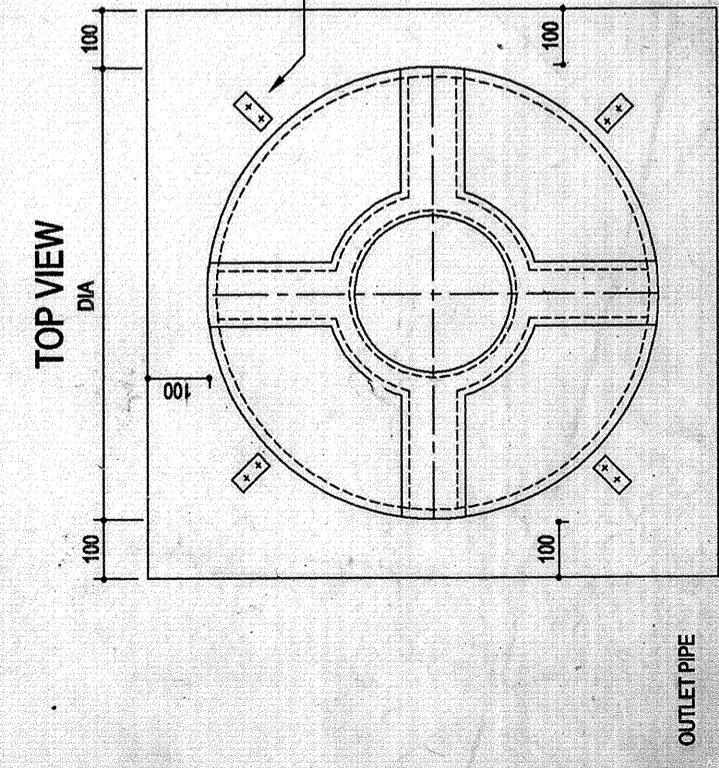
DRG COMPARED BY
N Y PACHAN GE.
6/6/03

R. Rama Mohi
C.D.

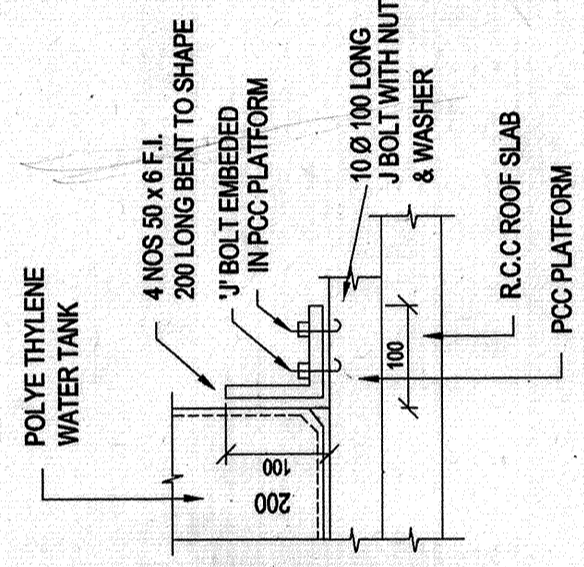
Sl.	CAPACITY (LITRES)	DIAMETER (mm)	HIGHT (mm)	MANHOLE	TYPE
1	200	740	585	280	I
2	270	735	785	280	I
3	350	1000	600	400	II
4	500	1000	770	400	II
5	500	910	930	400	II
6	750	1000	1100	400	II
7	1000	1100	1200	400	I
8	1500	1350	1250	400	I
9	1750	1400	1350	400	II
10	2000	1350	1600	400	I
11	3000	1620	1600	480	II
12	4000	1835	1850	480	I
13	5000	2000	1900	480	I
14	6000	1825	2450		
15	7500	2000	2500		
16	10000	2000	3300		
17	15000	2550	3500		



SECTIONAL ELEVATION

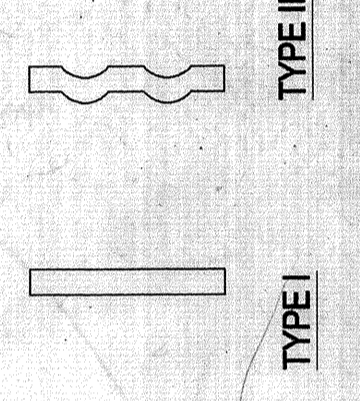


TOP VIEW



DETAIL AT X-X

* NOTE :- 100 SHALL BE FOLLOWED FOR TANKS WITH HEIGHT LESS THAN 1000 mm AND 200 FOR OTHERS. CUT EDGES OF F.I. SHALL BE NEATLY FILED.



TYPE I

TYPE II

TYPICAL DETAILS OF FIXING HDPE WATER STORAGE TANKS OVER RCC ROOF SLAB

DRN W/ABLE
TCD
CKD
SD

CHIEF ENGINEER
PUNE ZONE
PUNE

DATE
7-2-91

SCALE
AS SHOWN

ASST. ARCHITECT
FOR CEPZ PUNE

SENIOR ARCHITECT
FOR CEPZ PUNE

SHT. 1/1

DRG. NO. CEPZ91/7M

checked as per check print
and signed 13